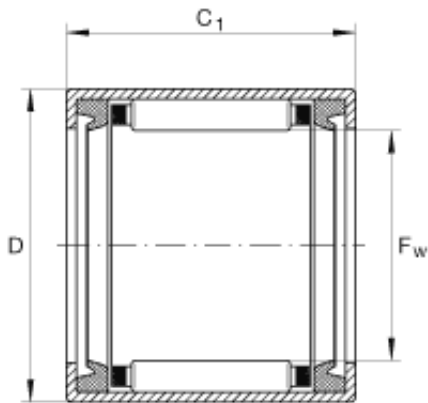




Bearing Rolamentos do Brasil Ltda.



INA SCH1414-PP needle roller bearings

Bearing No. SCH1414-PP

Size	22.225x30.162x22.225 mm
Bore Diameter	22,225 mm
Outer Diameter	30,162 mm
Width	22,225 mm
F _w	7/8 inch
F _w	22,225 mm
D	1,188 inch
D	30,162 mm
C ₁	0,875 inch
C ₁	22,225 mm
m	0,06 lbs / Weight
m	27 g / Weight
C _r	4400 lbf / Dynamic load rating (radial)
C _r	19600 N / Dynamic load rating (radial)
C _{0r}	6070 lbf / Static load rating (radial)
C _{0r}	27000 N / Static load rating (radial)
n _G	10700 1/min / Limiting speed
Category	Needle Non Thrust Roller Bearings
Inventory	0.0
Manufacturer Name	SCHAEFFLER GROUP
Minimum Buy Quantity	N/A

SCH1414-PP Bearing 2D drawings and 3D CAD models



Bearing Rolamentos do Brasil Ltda.

Weight / Kilogram	0.034
EAN	4047643193467
Product Group	B04144
Rolling Element	Needle Roller Bearing
Component	Roller Assembly with Outer Ring - No Inner Ring
Enclosure	2 Seals
Self Aligning	No
Retainer	Yes
Number of Rows of Rollers	Single Row
Separable	No
Closed End	No
Inch - Metric	Inch
Relubricatable	No
Thrust Bearing	No
Long Description	7/8" Bore; 1-3/16" Outside Diameter; 7/8" Width; Needle Roller Bearing; Roller Assembly with Outer Ring - No Inner Ring; 2 Seals Enclosure; No Self Aligning; Yes Retainer; Single Row of
Other Features	2 Rib Outer Ring Drawn Cup Bearing Steel Cage Heavy Duty
Category	Needle Non Thrust Roller Bearing
UNSPSC	31171512
Harmonized Tariff Code	8482.40.00.00
Noun	Bearing
Keyword String	Needle
Manufacturer URL	http://www.ina.com
Manufacturer Item Number	SCH1414PP
Weight / LBS	0.06
Bore	0.875 Inch 22.225



Bearing Rolamentos do Brasil Ltda.

	Millimeter
Width	0.875 Inch 22.225 Millimeter
Outside Diameter	1.188 Inch 30.175 Millimeter