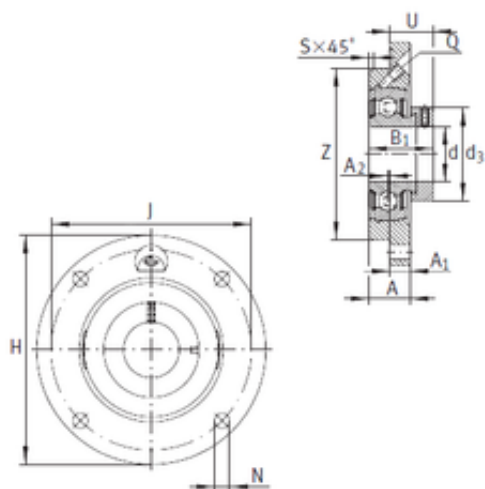




Bearing Rolamentos do Brasil Ltda.



PME25-N Bearing 2D drawings and 3D CAD models

INA PME25-N bearing units

Bearing No. PME25-N

Bore Diameter	25 mm
d	25 mm
U	21 mm
Thread (Q)	M6
Z	70 mm
d3	37,5 mm
A	19 mm
A1	9 mm
B1	31 mm
H	115 mm
J	90 mm
N	9 mm
S	2 mm
A2	2,5 mm
Weight	0,73 Kg
Basic dynamic load rating (C)	14 kN
Category	Flange Block Bearings
Inventory	0.0
Manufacturer Name	SCHAEFFLER GROUP
Minimum Buy Quantity	N/A
Weight / Kilogram	0.886
EAN	4012802837629
Product Group	M06110
Number of Mounting Holes	4
Mounting Method	Eccentric Collar
Housing Style	4 Bolt Round Flange



Bearing Rolamentos do Brasil Ltda.

	Cartridge
Rolling Element	Ball Bearing
Housing Material	Cast Iron
Expansion / Non-expansion	Non-expansion
Mounting Bolts	9 Millimeter
Relubricatable	Yes
Insert Part Number	GRAE25NPPB
Seals	Double Lip Contact
Housing Configuration	1 Piece Solid
Pilot Configuration	With Pilot
Inch - Metric	Metric
Long Description	4 Bolt Round Flange Cartridge; 25MM Bore; 90MM Bolt Circle; 63.5MM Bolt Spacing; 1 Piece Solid; Eccentric Collar Mount; Cast Iron; Ball Bearing; 31MM Length Thru Bore; Relubricatable; Double Lip Conta
Other Features	Single Row Centering Spigot With Set Screw
Category	Flange Block
UNSPSC	31171501
Harmonized Tariff Code	8483.20.40.40
Noun	Bearing
Keyword String	Flanged
Manufacturer URL	http://www.ina.com
Manufacturer Item Number	PME25N
Weight / LBS	1.632
Nominal Bolt Circle Diameter Round	3.5 Inch 90 Millimeter
Bore	0.984 Inch 25 Millimeter
Cartridge Pilot Depth	0.315 Inch 8 Millimeter
Cartridge Pilot Diameter	2.756 Inch 70 Millimeter



Bearing Rolamentos do Brasil Ltda.

Bolt Spacing	2.5 Inch 63.5 Millimeter
Length Thru Bore	1.22 Inch 31 Millimeter