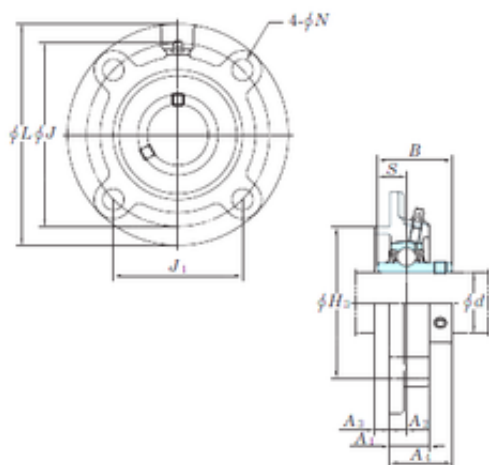




Bearing Rolamentos do Brasil Ltda.



UCFCX14 Bearing 2D drawings and 3D CAD models

KOYO UCFCX14 bearing units

Bearing No. UCFCX14

Bore Diameter	70 mm
d	70 mm
H3	164 mm
A4	58,5 mm
A1	36 mm
B	77,8 mm
J	190 mm
L	222 mm
N	19 mm
S	33,3 mm
Bolt (G)	M16
A2	14 mm
A3	20 mm
J1	134,3 mm
Weight	7,3 Kg
Basic dynamic load rating (C)	67,4 kN
Basic static load rating (C0)	48,3 kN
Bearing No.	UCFCX14
Bolt size	M16
Cr	67.4
C0r	48.3
f0	14.5
(Refer.)Unit mass(kg)	7.3
Nipple size	R1/8