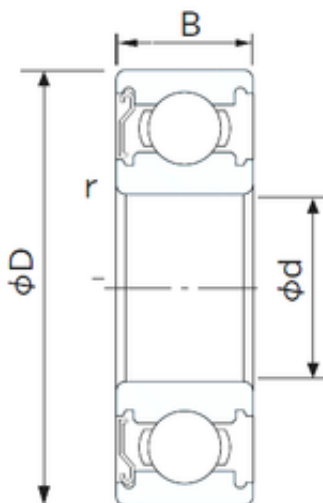




Bearing Rolamentos do Brasil Ltda.



20 mm x 52 mm x 15 mm NACHI 6304ZE deep groove ball bearings

Bearing No. 6304ZE

6304ZE Bearing 2D drawings and 3D CAD models

Size	20x52x15 mm
Bore Diameter	20 mm
Outer Diameter	52 mm
Width	15 mm
d	20 mm
D	52 mm
B	15 mm
C	15 mm
r min.	1.1 mm
da min.	27 mm
Da max.	45 mm
ra max.	1.1 mm
Weight	0.144 Kg
Basic dynamic load rating (C)	15,9 kN
Basic static load rating (C0)	7,9 kN
(Grease) Lubrication Speed	13000 r/min
Category	Single Row Ball Bearings
Inventory	0.0
Manufacturer Name	NACHI
Minimum Buy Quantity	N/A
Weight / Kilogram	0
Product Group	B00308
Enclosure	1 Metal Shield
Precision Class	ABEC 1 ISO P0
Maximum Capacity / Filling	No



Bearing Rolamentos do Brasil Ltda.

Slot	
Rolling Element	Ball Bearing
Snap Ring	No
Internal Special Features	No
Cage Material	Steel
Internal Clearance	C0-Medium
Inch - Metric	Metric
Long Description	20MM Bore; 52MM Outside Diameter; 15MM Outer Race Width; 1 Metal Shield; Ball Bearing; ABEC 1 ISO P0; No Filling Slot; No Snap Ring; No Internal Special Features; C0-Medium Internal Clearance; Steel
Other Features	Deep Groove
Category	Single Row Ball Bearing
UNSPSC	31171504
Harmonized Tariff Code	8482.10.50.68
Noun	Bearing
Keyword String	Ball
Manufacturer URL	http://www.nachiamerica.com
Weight / LBS	0.32
Bore	0.787 Inch 20 Millimeter
Outside Diameter	2.047 Inch 52 Millimeter
Outer Race Width	0.591 Inch 15 Millimeter
Inner Race Width	0 Inch 0 Millimeter