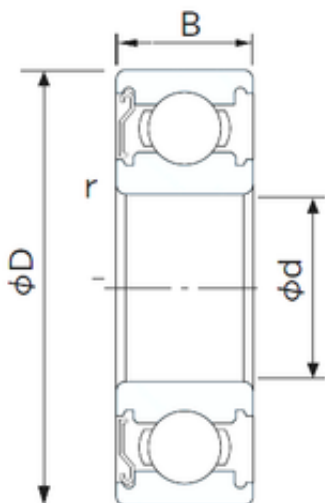




Bearing Rolamentos do Brasil Ltda.



65 mm x 140 mm x 33 mm NACHI 6313ZE
deep groove ball bearings

Bearing No. 6313ZE

6313ZE Bearing 2D drawings and 3D CAD models

Size	65x140x33 mm
Bore Diameter	65 mm
Outer Diameter	140 mm
Width	33 mm
d	65 mm
D	140 mm
B	33 mm
C	33 mm
r min.	2.1 mm
da min.	77 mm
Da max.	128 mm
ra max.	2.0 mm
Weight	2.08 Kg
Basic dynamic load rating (C)	92,5 kN
Basic static load rating (C0)	59,5 kN
(Grease) Lubrication Speed	4700 r/min
Category	Single Row Ball Bearings
Inventory	0.0
Manufacturer Name	NACHI
Minimum Buy Quantity	N/A
Weight / Kilogram	0
Product Group	B00308
Enclosure	1 Metal Shield
Precision Class	ABEC 1 ISO P0
Maximum Capacity / Filling	No



Bearing Rolamentos do Brasil Ltda.

Slot	
Rolling Element	Ball Bearing
Snap Ring	No
Internal Special Features	No
Cage Material	Steel
Internal Clearance	C0-Medium
Inch - Metric	Metric
Long Description	65MM Bore; 140MM Outside Diameter; 33MM Outer Race Width; 1 Metal Shield; Ball Bearing; ABEC 1 ISO P0; No Filling Slot; No Snap Ring; No Internal Special Features; C0-Medium Internal Clearance; Stee
Other Features	Deep Groove
Category	Single Row Ball Bearing
UNSPSC	31171504
Harmonized Tariff Code	8482.10.50.68
Noun	Bearing
Keyword String	Ball
Manufacturer URL	http://www.nachiamerica.com
Weight / LBS	4.885
Outside Diameter	5.512 Inch 140 Millimeter
Bore	2.559 Inch 65 Millimeter
Inner Race Width	0 Inch 0 Millimeter
Outer Race Width	1.299 Inch 33 Millimeter