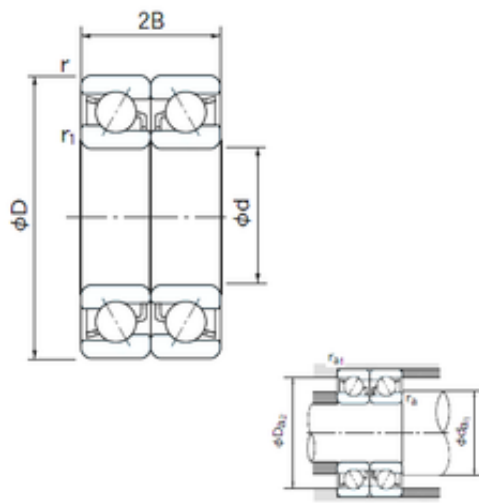




Bearing Rolamentos do Brasil Ltda.



190 mm x 290 mm x 46 mm NACHI 7038CDB
angular contact ball bearings

Bearing No. 7038CDB

7038CDB Bearing 2D drawings and 3D CAD models

Size	190x290x46 mm
Bore Diameter	190 mm
Outer Diameter	290 mm
Width	46 mm
d	190 mm
D	290 mm
B	46 mm
C	46 mm
Angle (°)	15 °
a	4.7 mm
r min.	2.1 mm
r1 min.	1.1 mm
2B	92 mm
da min.	199 mm
Da max.	284 mm
ra max.	1 mm
Weight	10.7 Kg
Basic dynamic load rating (C)	405 kN
Basic static load rating (C0)	615 kN
(Grease) Lubrication Speed	2600 r/min
Bore Type	Cylindrical Bore
Enclosure	Open
Configuration	Duplex
Bore Size	190 mm
Outside Diameter	290 mm



Bearing Rolamentos do Brasil Ltda.

Width	46 mm
Fillet Radius/Chamfer	2.1 mm
r1	1.1 mm
Dynamic Load Rating	405,000 N
Static Load Rating	615,000 N
Limiting Speed - Grease	2,600 rpm
Limiting Speed - Oil	3,700 rpm
da1 (min)	199 mm
da2 (min)	199 mm
Da1 (max)	281 mm
Da2 (max)	284 mm
ra (max)	2 mm
ra1 (max)	1 mm