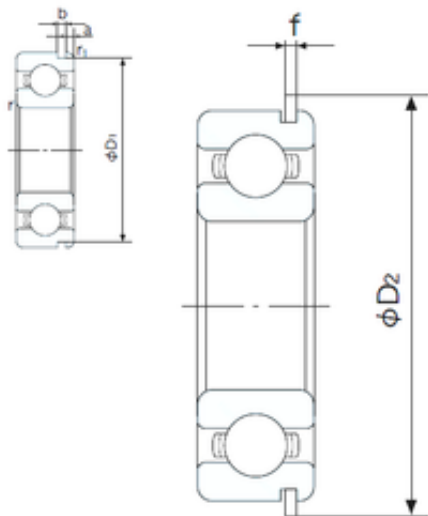




Bearing Rolamentos do Brasil Ltda.



105 mm x 145 mm x 20 mm NACHI 6921NR
deep groove ball bearings

Bearing No. 6921NR

6921NR Bearing 2D drawings and 3D CAD models

Size	105x145x20 mm
Bore Diameter	105 mm
Outer Diameter	145 mm
Width	20 mm
d	105 mm
D	145 mm
B	20 mm
C	20 mm
a	3.3 mm
b	1.9 mm
f	1.7 mm
r min.	1.1 mm
r1 min.	0.5 mm
D1	142.6 mm
D2	150.7 mm
Weight	0.803 Kg
Basic dynamic load rating (C)	42,5 kN
Basic static load rating (C0)	42 kN
(Grease) Lubrication Speed	4200 r/min
Bore Type	Cylindrical Bore
Configuration	Single Row
Enclosure	Snap Ring Groove with Snap Ring
Bore Size	105 mm
Outside Diameter	145 mm



Bearing Rolamentos do Brasil Ltda.

Width	20 mm
Fillet Radius/Chamfer	1.1 mm
r1	0.5 mm
Snap Ring Width	1.7 mm
Snap Ring Outside Diameter	150.7 mm
D1 (max)	142.6 mm
a (max)	3.3 mm
b (min)	1.9 mm
Dynamic Load Rating	42,500 N
Static Load Rating	42,000 N
Limiting Speed - Grease	4,300 rpm
Limiting Speed - Oil	5,300 rpm
Factor fo	16.4
Radial Clearance	0.015 to 0.041 mm
da (min)	111 mm
Da (max)	139 mm
Dx (min)	152 mm
ra (max)	1 mm
Cy (max)	4.7 mm