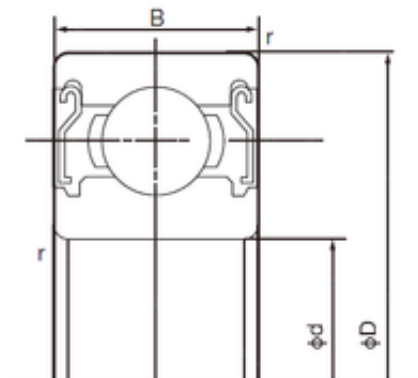




Bearing Rolamentos do Brasil Ltda.

60 mm x 78 mm x 10 mm NACHI 6812ZZ deep groove ball bearings



Bearing No. 6812ZZ

6812ZZ Bearing 2D drawings and 3D CAD models

Size	60x78x10 mm
Bore Diameter	60 mm
Outer Diameter	78 mm
Width	10 mm
d	60 mm
D	78 mm
B	10 mm
C	10 mm
r min.	0.3 mm
da min.	62 mm
Da max.	76 mm
ra max.	0.3 mm
Weight	0.106 Kg
Basic dynamic load rating (C)	11,5 kN
Basic static load rating (C0)	10,6 kN
Category	Single Row Ball Bearings
Inventory	0.0
Manufacturer Name	NACHI
Minimum Buy Quantity	N/A
Weight / Kilogram	0.11
Product Group	B00308
Enclosure	2 Metal Shields
Precision Class	ABEC 1 ISO P0
Maximum Capacity / Filling Slot	No



Bearing Rolamentos do Brasil Ltda.

Rolling Element	Ball Bearing
Snap Ring	No
Internal Special Features	No
Internal Clearance	C0-Medium
Inch - Metric	Metric
Long Description	60MM Bore; 78MM Outside Diameter; 10MM Outer Race Diameter; 2 Metal Shields; Ball Bearing; ABEC 1 ISO P0; No Filling Slot; No Snap Ring; No Internal Special Features
Category	Single Row Ball Bearing
UNSPSC	31171504
Harmonized Tariff Code	8482.10.50.68
Noun	Bearing
Keyword String	Ball
Manufacturer URL	http://www.nachi.com
Manufacturer Item Number	6812 ZZ BV2S
Weight / LBS	0.24
Outer Race Width	0.394 Inch 10 Millimeter
Bore	2.362 Inch 60 Millimeter
Outside Diameter	3.071 Inch 78 Millimeter
Bore Type	Cylindrical Bore
Configuration	Single Row
Bore Size	60 mm
Width	10 mm
Fillet Radius/Chamfer	0.3 mm
Dynamic Load Rating	11,500 N
Static Load Rating	10,600 N
Limiting Speed - Grease	8,000 rpm
Factor fo	16.3
Radial Clearance	0.008 to 0.028 mm
da (min)	62 mm



Bearing Rolamentos do Brasil Ltda.

Da (max)	76 mm
ra (max)	0.3 mm