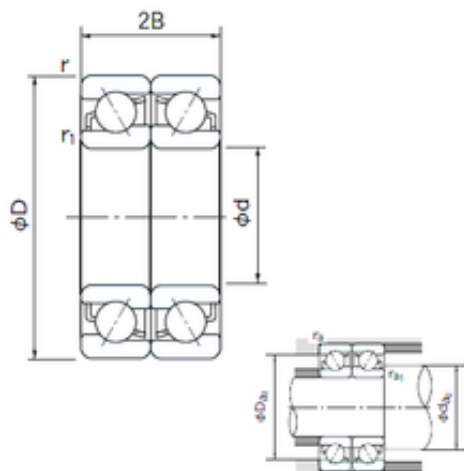




## Bearing Rolamentos do Brasil Ltda.



90 mm x 140 mm x 24 mm NACHI 7018DF  
angular contact ball bearings

Bearing No. 7018DF

7018DF Bearing 2D drawings and 3D CAD models

Size	90x140x24 mm
Bore Diameter	90 mm
Outer Diameter	140 mm
Width	24 mm
d	90 mm
D	140 mm
B	24 mm
C	24 mm
Angle ( ° )	30 °
a	21.2 mm
r min.	1.5 mm
r1 min.	1 mm
2B	48 mm
da min.	97 mm
Da max.	135.6 mm
ra max.	1 mm
Weight	1.26 Kg
Basic dynamic load rating (C)	106 kN
Basic static load rating (C0)	126 kN
(Grease) Lubrication Speed	3200 r/min
Bore Type	Cylindrical Bore
Enclosure	Open
Configuration	Duplex
Bore Size	90 mm
Outside Diameter	140 mm



## Bearing Rolamentos do Brasil Ltda.

Width	24 mm
Fillet Radius/Chamfer	1.5 mm
r1	1 mm
Dynamic Load Rating	106,000 N
Static Load Rating	126,000 N
Limiting Speed - Grease	3,200 rpm
Limiting Speed - Oil	4,200 rpm
da1 (min)	97 mm
da2 (min)	97 mm
Da1 (max)	133 mm
Da2 (max)	135.6 mm
ra (max)	1.5 mm
ra1 (max)	1 mm