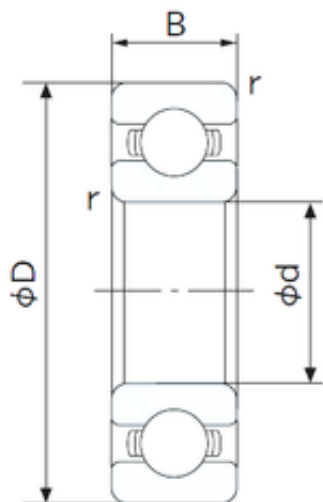




Bearing Rolamentos do Brasil Ltda.



190 mm x 240 mm x 24 mm NACHI 6838 deep groove ball bearings

Bearing No. 6838

6838 Bearing 2D drawings and 3D CAD models

Size	190x240x24 mm
Bore Diameter	190 mm
Outer Diameter	240 mm
Width	24 mm
d	190 mm
D	240 mm
B	24 mm
C	24 mm
r min.	1.5 mm
da min.	198 mm
Da max.	232 mm
ra max.	1.5 mm
Weight	2.60 Kg
Basic dynamic load rating (C)	73 kN
Basic static load rating (C0)	88 kN
(Grease) Lubrication Speed	2200 r/min
Enclosure	Open
Bore Type	Cylindrical Bore
Configuration	Single Row
Bore Size	190 mm
Outside Diameter	240 mm
Width	24 mm
Fillet Radius/Chamfer	1.5 mm
Dynamic Load Rating	73,000 N
Static Load Rating	88,000 N



Bearing Rolamentos do Brasil Ltda.

Limiting Speed - Grease	2,400 rpm
Limiting Speed - Oil	2,900 rpm
Factor fo	16.1
Radial Clearance	0.025 to 0.071 mm
da (min)	198 mm
Da (max)	232 mm
ra (max)	1.5 mm