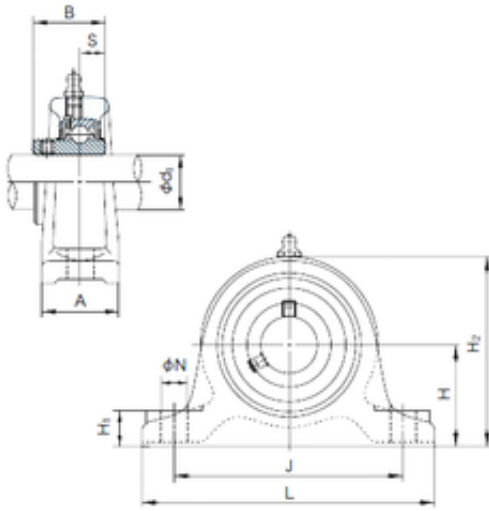




Bearing Rolamentos do Brasil Ltda.



UCIP326 Bearing 2D drawings and 3D CAD models

NACHI UCIP326 bearing units

Bearing No. UCIP326

Bore Diameter	130 mm
Width	135 mm
d	130 mm
A	110 mm
B	135 mm
H	200 mm
H1	50 mm
H2	390 mm
J	470 mm
L	550 mm
N	32 mm
S	54 mm
Bolt (G)	M27