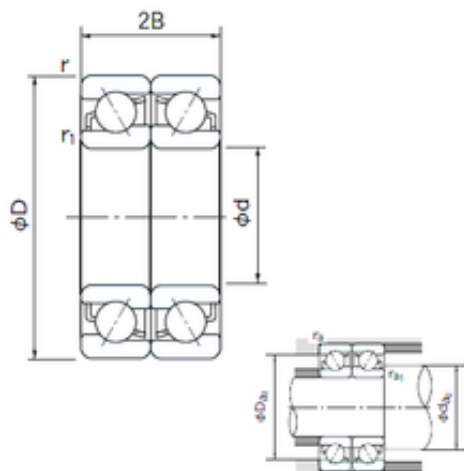




Bearing Rolamentos do Brasil Ltda.



110 mm x 240 mm x 50 mm NACHI 7322DF
angular contact ball bearings

Bearing No. 7322DF

7322DF Bearing 2D drawings and 3D CAD models

Size	110x240x50 mm
Bore Diameter	110 mm
Outer Diameter	240 mm
Width	50 mm
d	110 mm
D	240 mm
B	50 mm
C	50 mm
Angle (°)	30 °
a	25.5 mm
r min.	3 mm
r1 min.	1.1 mm
2B	100 mm
da min.	117 mm
Da max.	233 mm
ra max.	1 mm
Weight	11.0 Kg
Basic dynamic load rating (C)	395 kN
Basic static load rating (C0)	480 kN
(Grease) Lubrication Speed	2000 r/min
Bore Type	Cylindrical Bore
Enclosure	Open
Configuration	Duplex
Bore Size	110 mm
Outside Diameter	240 mm



Bearing Rolamentos do Brasil Ltda.

Width	50 mm
Fillet Radius/Chamfer	3 mm
r1	1.1 mm
Dynamic Load Rating	395,000 N
Static Load Rating	480,000 N
Limiting Speed - Grease	2,000 rpm
Limiting Speed - Oil	2,700 rpm
da1 (min)	124 mm
da2 (min)	117 mm
Da1 (max)	226 mm
Da2 (max)	233 mm
ra (max)	2.5 mm
ra1 (max)	1 mm