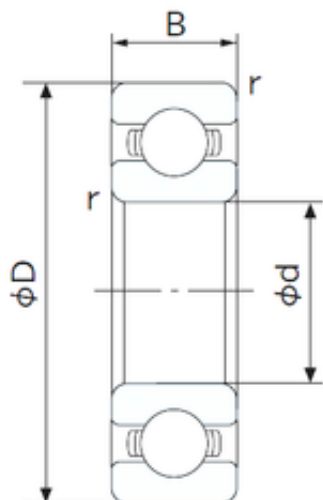




Bearing Rolamentos do Brasil Ltda.



30 mm x 42 mm x 7 mm NACHI 6806 deep groove ball bearings

Bearing No. 6806

6806 Bearing 2D drawings and 3D CAD models

Size	30x42x7 mm
Bore Diameter	30 mm
Outer Diameter	42 mm
Width	7 mm
d	30 mm
D	42 mm
B	7 mm
C	7 mm
r min.	0.3 mm
da min.	32 mm
Da max.	40 mm
ra max.	0.3 mm
Weight	0.026 Kg
Basic dynamic load rating (C)	5,35 kN
Basic static load rating (C0)	3,8 kN
(Grease) Lubrication Speed	15000 r/min
Category	Single Row Ball Bearings
Inventory	0.0
Manufacturer Name	NACHI
Minimum Buy Quantity	N/A
Weight / Kilogram	0.027
Product Group	B00308
Enclosure	Open
Precision Class	ABEC 1 ISO P0
Maximum Capacity / Filling	No



Bearing Rolamentos do Brasil Ltda.

Slot	
Rolling Element	Ball Bearing
Snap Ring	No
Internal Special Features	No
Internal Clearance	C0-Medium
Inch - Metric	Metric
Long Description	30MM Bore; 42MM Outside Diameter; 7MM Outer Race Diameter; Open; Ball Bearing; ABEC 1 ISO P0; No Filling Slot; No Snap Ring; No Internal Special Features
Category	Single Row Ball Bearing
UNSPSC	31171504
Harmonized Tariff Code	8482.10.50.68
Noun	Bearing
Keyword String	Ball
Manufacturer URL	http://www.nachi.com
Manufacturer Item Number	6806 BNLS
Weight / LBS	0.06
Outside Diameter	1.654 Inch 42 Millimeter
Bore	1.181 Inch 30 Millimeter
Outer Race Width	0.276 Inch 7 Millimeter
Bore Type	Cylindrical Bore
Configuration	Single Row
Bore Size	30 mm
Width	7 mm
Fillet Radius/Chamfer	0.3 mm
Dynamic Load Rating	5,350 N
Static Load Rating	3,800 N
Limiting Speed - Grease	15,000 rpm
Limiting Speed - Oil	18,000 rpm
Factor fo	16.4



Bearing Rolamentos do Brasil Ltda.

Radial Clearance	0.005 to 0.020 mm
da (min)	32 mm
Da (max)	40 mm
ra (max)	0.3 mm