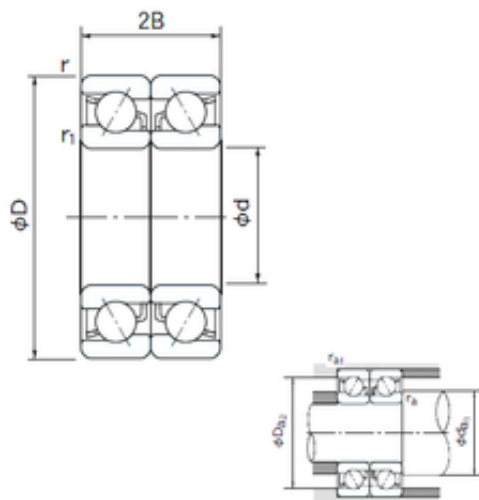




## Bearing Rolamentos do Brasil Ltda.



110 mm x 240 mm x 50 mm NACHI 7322BDB  
angular contact ball bearings

Bearing No. 7322BDB

7322BDB Bearing 2D drawings and 3D CAD models

Size	110x240x50 mm
Bore Diameter	110 mm
Outer Diameter	240 mm
Width	50 mm
d	110 mm
D	240 mm
B	50 mm
C	50 mm
Angle ( ° )	40 °
a	48.5 mm
r min.	3 mm
r1 min.	1.1 mm
2B	100 mm
da min.	117 mm
Da max.	233 mm
ra max.	1 mm
Weight	11.0 Kg
Basic dynamic load rating (C)	375 kN
Basic static load rating (C0)	455 kN
(Grease) Lubrication Speed	1800 r/min
Bore Type	Cylindrical Bore
Enclosure	Open
Configuration	Duplex
Bore Size	110 mm
Outside Diameter	240 mm



## Bearing Rolamentos do Brasil Ltda.

Width	50 mm
Fillet Radius/Chamfer	3 mm
r1	1.1 mm
Dynamic Load Rating	375,000 N
Static Load Rating	455,000 N
Limiting Speed - Grease	1,800 rpm
Limiting Speed - Oil	2,400 rpm
da1 (min)	124 mm
da2 (min)	117 mm
Da1 (max)	226 mm
Da2 (max)	233 mm
ra (max)	2.5 mm
ra1 (max)	1 mm