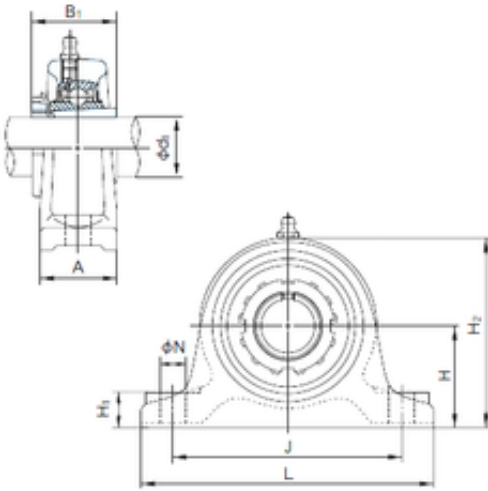




Bearing Rolamentos do Brasil Ltda.

NACHI UKIP211+H2311 bearing units

Bearing No. UKIP211+H2311



UKIP211+H2311 Bearing 2D drawings and 3D CAD models

Bore Diameter	50 mm
Width	80 mm
d	50 mm
A	60 mm
B1	59 mm
H	80 mm
H1	28 mm
H2	148 mm
J	180 mm
L	230 mm
N	19 mm
Bolt (G)	M16