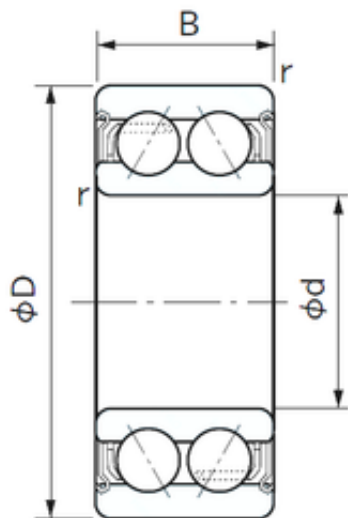




## Bearing Rolamentos do Brasil Ltda.



55 mm x 100 mm x 33.3 mm NACHI 5211AZZ  
angular contact ball bearings

Bearing No. 5211AZZ

5211AZZ Bearing 2D drawings and 3D CAD models

Size	55x100x33.3 mm
Bore Diameter	55 mm
Outer Diameter	100 mm
Width	33.3 mm
d	55 mm
D	100 mm
B	33.3 mm
C	33.3 mm
r min.	1.5 mm
Weight	0.960 Kg
Basic dynamic load rating (C)	54 kN
Basic static load rating (C0)	47,5 kN
Enclosure	Double Shield
Configuration	Double Row
Bore Type	Cylindrical Bore
Bore Size	55 mm
Outside Diameter	100 mm
Width	33.3 mm
Fillet Radius/Chamfer	1.5 mm
Dynamic Load Rating	54,000 N
Static Load Rating	47,500 N
Limiting Speed - Oil	4,000 rpm
Radial Clearance	0.008 to 0.028 mm
da	64 mm
Da	91 mm



## Bearing Rolamentos do Brasil Ltda.

ra	1.5 mm
----	--------