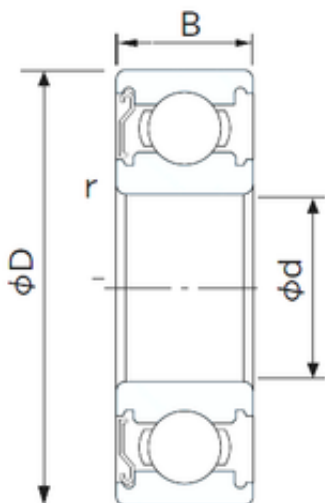




Bearing Rolamentos do Brasil Ltda.



45 mm x 75 mm x 16 mm NACHI 6009ZE deep groove ball bearings

Bearing No. 6009ZE

6009ZE Bearing 2D drawings and 3D CAD models

Size	45x75x16 mm
Bore Diameter	45 mm
Outer Diameter	75 mm
Width	16 mm
d	45 mm
D	75 mm
B	16 mm
C	16 mm
r min.	1 mm
da min.	50 mm
Da max.	70 mm
ra max.	1.0 mm
Weight	0.246 Kg
Basic dynamic load rating (C)	20,9 kN
Basic static load rating (C0)	15,2 kN
(Grease) Lubrication Speed	8800 r/min
Category	Single Row Ball Bearings
Inventory	0.0
Manufacturer Name	NACHI
Minimum Buy Quantity	N/A
Weight / Kilogram	0
Product Group	B00308
Enclosure	1 Metal Shield
Precision Class	ABEC 1 ISO P0
Maximum Capacity / Filling	No



Bearing Rolamentos do Brasil Ltda.

Slot	
Rolling Element	Ball Bearing
Snap Ring	No
Internal Special Features	No
Cage Material	Steel
Internal Clearance	C0-Medium
Inch - Metric	Metric
Long Description	45MM Bore; 75MM Outside Diameter; 16MM Outer Race Width; 1 Metal Shield; Ball Bearing; ABEC 1 ISO P0; No Filling Slot; No Snap Ring; No Internal Special Features; C0-Medium Internal Clearance; Steel
Other Features	Deep Groove
Category	Single Row Ball Bearing
UNSPSC	31171504
Harmonized Tariff Code	8482.10.50.68
Noun	Bearing
Keyword String	Ball
Manufacturer URL	http://www.nachiamerica.com
Outer Race Width	0.63 Inch 16 Millimeter
Bore	1.772 Inch 45 Millimeter
Outside Diameter	2.953 Inch 75 Millimeter
Inner Race Width	0 Inch 0 Millimeter