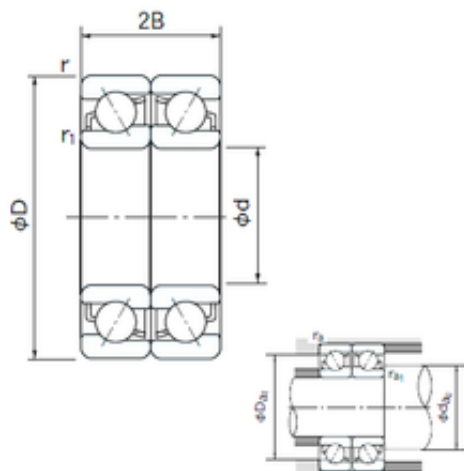




Bearing Rolamentos do Brasil Ltda.



80 mm x 125 mm x 22 mm NACHI 7016CDF
angular contact ball bearings

Bearing No. 7016CDF

7016CDF Bearing 2D drawings and 3D CAD models

Size	80x125x22 mm
Bore Diameter	80 mm
Outer Diameter	125 mm
Width	22 mm
d	80 mm
D	125 mm
B	22 mm
C	22 mm
Angle (°)	15 °
a	0.8 mm
r min.	1.1 mm
r1 min.	0.6 mm
2B	44 mm
da min.	86 mm
Da max.	121 mm
ra max.	0.6 mm
Weight	0.925 Kg
Basic dynamic load rating (C)	96 kN
Basic static load rating (C0)	111 kN
(Grease) Lubrication Speed	6200 r/min
Bore Type	Cylindrical Bore
Enclosure	Open
Configuration	Duplex
Bore Size	80 mm
Outside Diameter	125 mm



Bearing Rolamentos do Brasil Ltda.

Width	22 mm
Fillet Radius/Chamfer	1.1 mm
r1	0.6 mm
Dynamic Load Rating	96,000 N
Static Load Rating	111,000 N
Limiting Speed - Grease	6,200 rpm
Limiting Speed - Oil	8,800 rpm
da1 (min)	86 mm
da2 (min)	86 mm
Da1 (max)	119 mm
Da2 (max)	121 mm
ra (max)	1 mm
ra1 (max)	0.6 mm