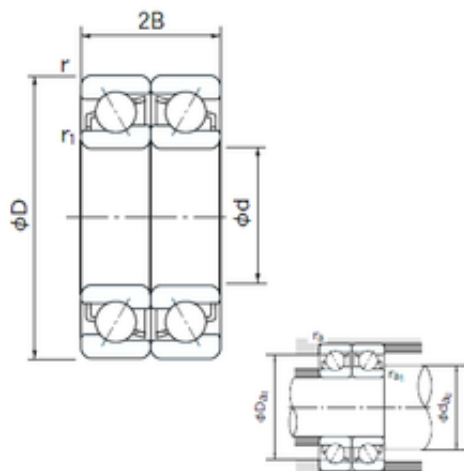




Bearing Rolamentos do Brasil Ltda.



120 mm x 260 mm x 55 mm NACHI 7324BDF
angular contact ball bearings

Bearing No. 7324BDF

7324BDF Bearing 2D drawings and 3D CAD models

| | |
|-------------------------------|------------------|
| Size | 120x260x55 mm |
| Bore Diameter | 120 mm |
| Outer Diameter | 260 mm |
| Width | 55 mm |
| d | 120 mm |
| D | 260 mm |
| B | 55 mm |
| C | 55 mm |
| Angle (°) | 40 ° |
| a | 52.2 mm |
| r min. | 3 mm |
| r1 min. | 1.1 mm |
| 2B | 110 mm |
| da min. | 127 mm |
| Da max. | 253 mm |
| ra max. | 1 mm |
| Weight | 14.2 Kg |
| Basic dynamic load rating (C) | 400 kN |
| Basic static load rating (C0) | 505 kN |
| (Grease) Lubrication Speed | 1700 r/min |
| Bore Type | Cylindrical Bore |
| Enclosure | Open |
| Configuration | Duplex |
| Bore Size | 120 mm |
| Outside Diameter | 260 mm |



Bearing Rolamentos do Brasil Ltda.

| | |
|-------------------------|-----------|
| Width | 55 mm |
| Fillet Radius/Chamfer | 3 mm |
| r1 | 1.1 mm |
| Dynamic Load Rating | 400,000 N |
| Static Load Rating | 505,000 N |
| Limiting Speed - Grease | 1,700 rpm |
| Limiting Speed - Oil | 2,200 rpm |
| da1 (min) | 134 mm |
| da2 (min) | 127 mm |
| Da1 (max) | 246 mm |
| Da2 (max) | 253 mm |
| ra (max) | 2.5 mm |
| ra1 (max) | 1 mm |