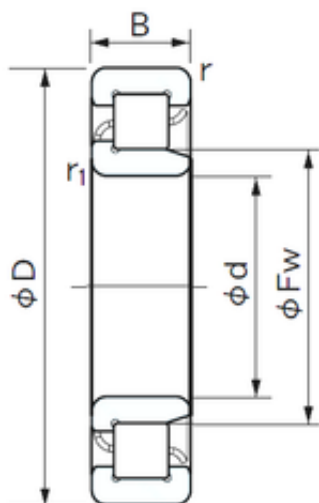




Bearing Rolamentos do Brasil Ltda.



35 mm x 80 mm x 31 mm NACHI NJ 2307
cylindrical roller bearings

Bearing No. NJ 2307

Size	35x80x31 mm
Bore Diameter	35 mm
Outer Diameter	80 mm
Width	31 mm
d	35 mm
Fw	46.2 mm
D	80 mm
B	31 mm
r min.	1.5 mm
r1 min.	1.1 mm
Weight	0.696 Kg
Basic dynamic load rating (C)	60,5 kN
Basic static load rating (C0)	60 kN
(Grease) Lubrication Speed	7200 r/min

NJ 2307 Bearing 2D drawings and 3D CAD models