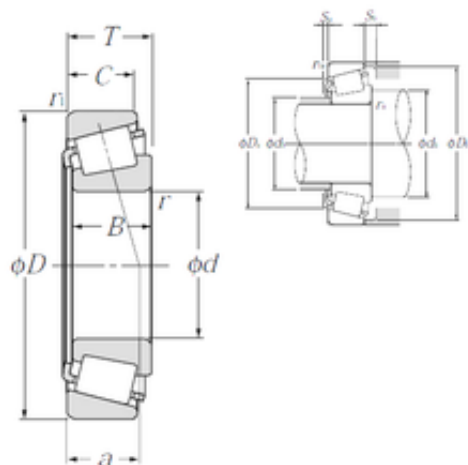




Bearing Rolamentos do Brasil Ltda.



95 mm x 200 mm x 45 mm NTN 30319U
tapered roller bearings

Bearing No. 30319U

30319U Bearing 2D drawings and 3D CAD models

Size	95x200x49.5 mm
Bore Diameter	95 mm
Outer Diameter	200 mm
Width	49,5 mm
d	95 mm
D	200 mm
T	49,5 mm
B	45 mm
C	38 mm
ra1 max.	2,5 mm
a	40 mm
r min.	4 mm
r1 min.	3 mm
da min.	113 mm
Da min	172 mm
Da max.	186 mm
db max.	118 mm
Db min.	186 mm
ra max.	3 mm
Sa	5 mm
Sb	11,5 mm
Weight	6,98 Kg
Basic dynamic load rating (C)	365 kN
Basic static load rating (C0)	445 kN
(Grease) Lubrication Speed	1 900 r/min



Bearing Rolamentos do Brasil Ltda.

(Oil) Lubrication Speed	2 500 r/min
Calculation factor (e)	0,35
Calculation factor (Y0)	0,96
d1	141 mm
rs min	4 mm
r1s min	3 mm
e	0.35
Y2	1.74
Y0	0.96
Mass	6.98 kg
ISO 355 reference	T2GB095
Dynamic load, C	365 kN
Rating life coefficient, A2	1
Static load, C0	445 kN
Fatigue limit load, Cu	48.2 kN
Nlim (oil)	2,500 rpm
Nlim (grease)	1,900 rpm
Min operating temperature, Tmin	-40 ° C
Max operating temperature, Tmax	120 ° C
Characteristic cage frequency, FTF	0.41 Hz
Characteristic rolling element frequency, BSF	5.27 Hz
Characteristic outer ring frequency, BPF0	6.16 Hz
Characteristic inner ring frequency, BPF1	8.84 Hz
da max	118 mm
db min	113 mm
Da max	186 mm
Db min	186 mm
Ca min	5 mm



Bearing Rolamentos do Brasil Ltda.

Cb min	11.5 mm
ra max	3 mm
r1a max	2.5 mm
Category	Bearings
Inventory	0.0
Manufacturer Name	NTN
Minimum Buy Quantity	N/A
Weight / Kilogram	6.62
Product Group	B04334