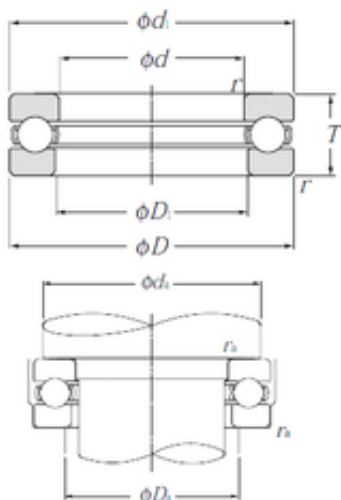




## Bearing Rolamentos do Brasil Ltda.



### NTN 51116 thrust ball bearings

Bearing No. 51116

Size	80x105x19 mm
Bore Diameter	80 mm
Outer Diameter	105 mm
Width	19 mm
d	80 mm
D	105 mm
T	19 mm
d1	105 mm
r min.	1 mm
D1	82 mm
da min.	95 mm
Da max.	90 mm
ra max.	1 mm
Weight	0,422 Kg
Basic dynamic load rating (C)	44,5 kN
Basic static load rating (C0)	141 kN
(Grease) Lubrication Speed	2 200 r/min
Category	Thrust Ball Bearing
Inventory	0.0
Manufacturer Name	NTN
Minimum Buy Quantity	N/A
Weight / Kilogram	0.401
Product Group	B00308
Rolling Element	Ball Bearing
Thrust Bearing	Yes
Single or Double Direction	Single Direction

51116 Bearing 2D drawings and 3D CAD models



## Bearing Rolamentos do Brasil Ltda.

Banded	No
Cage Material	Steel
Precision Class	ABEC 1   ISO P0
Component Description	Roller Assembly Plus Raceways
Other Features	Single Row   With Flat Seat
Long Description	80MM Bore 1; 82MM Bore 2; 105MM Outside Diameter; 19MM Height; Ball Bearing; Single Direction; Not Banded; Steel Cage; ABEC 1   ISO P0 Precision
Inch - Metric	Metric
Category	Thrust Ball Bearings
UNSPSC	31171552
Harmonized Tariff Code	8482.10.50.08
Noun	Bearing
Keyword String	Ball Thrust
Manufacturer URL	<a href="http://www.ntnamerica.com">http://www.ntnamerica.com</a>
Manufacturer Item Number	51116
Weight / LBS	0.93035
Overall Height with Aligning Washer	0 Inch   0 Millimeter
Outside Diameter	4.134 Inch   105 Millimeter
Bore 1	3.15 Inch   80 Millimeter
Bore 2	3.228 Inch   82 Millimeter
Height	0.748 Inch   19 Millimeter
bore diameter:	80 mm
dynamic load capacity:	44500 N
outside diameter:	105 mm
operating temperature range:	-40 to 120 ° C
overall width:	19 mm



## Bearing Rolamentos do Brasil Ltda.

maximum rpm:	3100 rpm
thrust bearing type:	Single-Direction
bearing material:	High Carbon Chrome Steel
outside diameter design:	Straight
cage material:	Steel
separable or banded:	Separable
fillet radius:	1 mm
precision rating:	ISO Class 0
series:	511
static load capacity:	141000 N
manufacturer product page:	<a href="#">Click here</a>