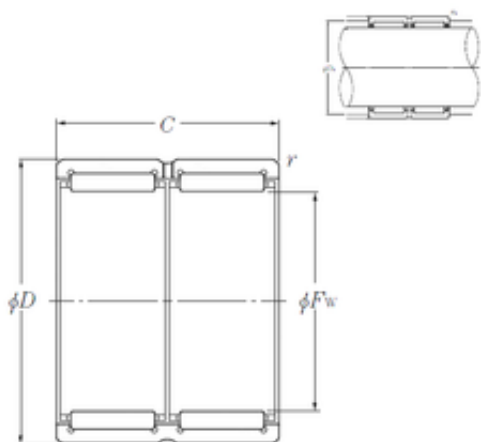




Bearing Rolamentos do Brasil Ltda.

NTN RNA6914R needle roller bearings

Bearing No. RNA6914R



RNA6914R Bearing 2D drawings and 3D CAD models

Size	80x100x54 mm
Bore Diameter	80 mm
Outer Diameter	100 mm
Width	54 mm
Fw	80 mm
D	100 mm
C	54 mm
r min.	1 mm
Da max.	95 mm
ra max.	1 mm
Weight	0,857 Kg
Basic dynamic load rating (C)	130 kN
Basic static load rating (C0)	267 kN
(Grease) Lubrication Speed	3300 r/min
rs min	1 mm
Dw	6.5 mm
Lw	20 mm
Lubrication hole on outer ring	Oui/Yes
k	3.5 mm
Radial clearance class	CN
Precision class	P0
Mass	0.86 kg
Cr	130 kN
C0r	267 kN
Nlim (grease)	3,300 rpm



Bearing Rolamentos do Brasil Ltda.

Nlim (oil)	5,000 rpm
Min operating temperature, Tmin	-20 ° C
Max operating temperature, Tmax	120 ° C
Characteristic cage frequency, FTF	0.46 Hz
Characteristic rolling element frequency, BSF	13.23 Hz
Characteristic outer ring frequency, BPF0	12.95 Hz
Characteristic inner ring frequency, BRFI	15.05 Hz
Da max	95 mm
ras max	1 mm
Category	Bearings
Inventory	0.0
Manufacturer Name	NTN
Minimum Buy Quantity	N/A
Weight / Kilogram	0.828
Product Group	B04144