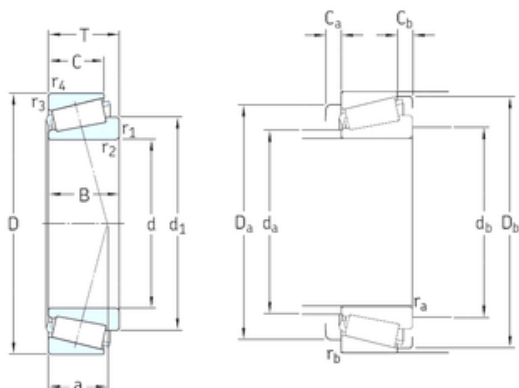




Bearing Rolamentos do Brasil Ltda.



260 mm x 480 mm x 130 mm SKF 32252J2/HA1 tapered roller bearings

Bearing No. 32252J2/HA1

32252J2/HA1 Bearing 2D drawings and 3D CAD models

Size	260x480x137 mm
Bore Diameter	260 mm
Outer Diameter	480 mm
Width	137 mm
d	260 mm
D	480 mm
T	137 mm
B	130 mm
C	106 mm
a	112 mm
d1	366 mm
r1 min.	6 mm
r2 min.	6 mm
r3 min.	5 mm
r4 min.	5 mm
Ca min.	17 mm
Cb min.	31 mm
da max	304 mm
Da min	401 mm
Da max.	470 mm
db min	272 mm
Db min.	454 mm
ra max.	5 mm
rb max.	4 mm
Weight	105 Kg



Bearing Rolamentos do Brasil Ltda.

Basic dynamic load rating (C)	2200 kN
Basic static load rating (C0)	3650 kN
Fatigue load limit (Pu)	300
Reference speed	900 r/min
Limiting speed	1200 r/min
Calculation factor (e)	0,43
Calculation factor (Y)	1,4