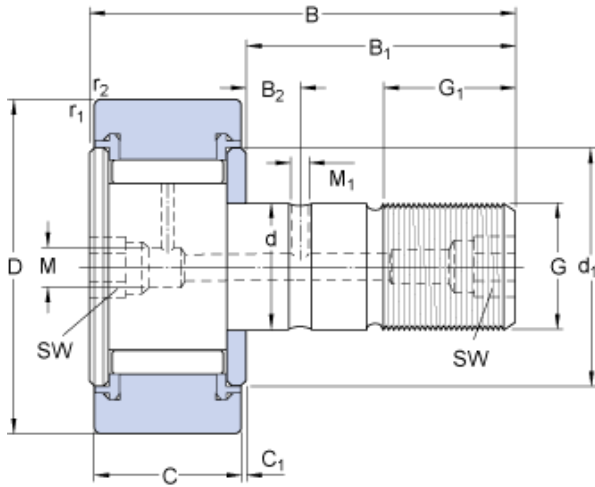




## Bearing Rolamentos do Brasil Ltda.



12 mm x 30 mm x 40 mm SKF KRV 30 PPXA  
cylindrical roller bearings

Bearing No. KRV 30 PPXA

KRV 30 PPXA Bearing 2D drawings and 3D CAD models

Size	12x30x40 mm
Bore Diameter	12 mm
Outer Diameter	30 mm
Width	40 mm
D	30 mm
d	12 mm
B	40 mm
C	14 mm
B <sub>1</sub>	25 mm
B <sub>2</sub>	6 mm
C <sub>1</sub>	0.6 mm
d <sub>1</sub>	23 mm
G	M 12x1.5
G <sub>1</sub>	13 mm
M	4 mm
M <sub>1</sub>	3 mm
SW	6 mm
r <sub>1,2</sub> - min.	0.6 mm
Basic dynamic load rating - C	9 kN
Basic static load rating - C <sub>0</sub>	14.6 kN
Fatigue load limit - P <sub>u</sub>	1.7 kN
Maximum dynamic radial loads - F <sub>r</sub>	11 kN
Maximum static radial loads	15.6 kN



## Bearing Rolamentos do Brasil Ltda.

- F <sub>0r</sub>	
Limiting speed	3200 r/min
Mass support roller	0.091 kg
Recommended tightening torque	22 N · m
Grease fitting	NIP A1x4.5
Category	Cam Follower and Track Roller - Stud Type
Inventory	0.0
Manufacturer Name	SKF
Minimum Buy Quantity	N/A
Weight / Kilogram	0.09
Product Group	B04144
Roller Surface Profile	Flat
Profile	Stud Type
Thread Size	M12X1.5
Stud Profile	Standard Stud
Enclosure	Sealed
Rolling Element	Needle Bearing
Relubricatable	Yes
Hex Socket	Yes
Inch - Metric	Metric
Other Features	Full Complement   3 Stage Sealing
Long Description	30MM Roller Diameter; 14MM Roller Width; Flat Roller Surface; Stud Type; 12MM Stud Diameter; M12X1.5 Thread; Standard Stud; Sealed; Needle Bearing; Relubricatable; Hex Socket
Category	Cam Followers Stud Type
UNSPSC	31171530
Harmonized Tariff Code	8482.40.00.00



## Bearing Rolamentos do Brasil Ltda.

Noun	Bearing
Keyword String	Cam Follower
Manufacturer URL	<a href="http://www.skf.com">http://www.skf.com</a>
Manufacturer Item Number	KRV 30 PPXA
Weight / LBS	0.201
Roller Diameter	1.181 Inch   30 Millimeter
Roller Width	0.551 Inch   14 Millimeter
Stud Diameter	0.472 Inch   12 Millimeter
B <sub>1</sub>	25 mm
B <sub>2</sub>	6 mm
C <sub>1</sub>	0.6 mm
d <sub>1</sub>	23 mm
G <sub>1</sub>	13 mm
M <sub>1</sub>	3 mm
r <sub>1,2</sub> min.	0.6 mm
Basic dynamic load rating C	8.97 kN
Basic static load rating C <sub>0</sub>	14.6 kN
Fatigue load limit P <sub>u</sub>	1.66 kN
Maximum dynamic radial loads F <sub>r</sub> max.	11 kN
Maximum static radial loads F <sub>0r</sub> max.	15.6 kN
Mass cam follower	0.091 kg
Hexagonal nut	M 12x1.5