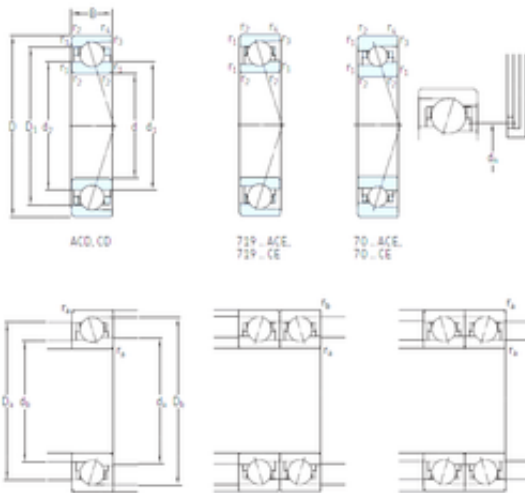




Bearing Rolamentos do Brasil Ltda.



9 mm x 24 mm x 7 mm SKF 709 CD/HCP4A
angular contact ball bearings

Bearing No. 709 CD/HCP4A

709 CD/HCP4A Bearing 2D drawings and 3D CAD models

Size	9x24x7 mm
Bore Diameter	9 mm
Outer Diameter	24 mm
Width	7 mm
d	9 mm
D	24 mm
B	7 mm
C	7 mm
d1	14,1 mm
d2	14,1 mm
r1 min.	0,3 mm
r2 min.	0,3 mm
r3 min.	0,2 mm
r4 min.	0,2 mm
D1	18,9 mm
D2	– mm
da min.	11 mm
Da max.	22 mm
db min	11 mm
ra max.	0,3 mm
rb max.	0,2 mm
dh	15,1 mm
Db max	22,6 mm
Weight	0,013 Kg
Basic dynamic load rating (C)	3,58 kN



Bearing Rolamentos do Brasil Ltda.

Basic static load rating (C ₀)	1,6 kN
(Grease) Lubrication Speed	95 000 r/min
(Oil) Lubrication Speed	150 000 r/min
Fatigue load limit (P _u)	0,068
d ₁	14.1 mm
d ₂	14.1 mm
D ₁	18.9 mm
r _{1,2} min.	0.3 mm
r _{3,4} min.	0.2 mm
a	5.7 mm
d _a min.	11 mm
d _b min.	11 mm
D _a max.	22 mm
D _b max.	22.6 mm
r _a max.	0.3 mm
r _b max.	0.2 mm
d _n	15.1 mm
Basic dynamic load rating C	3.58 kN
Basic static load rating C ₀	1.6 kN
Fatigue load limit P _u	0.068 kN
Attainable speed for grease lubrication	95000 r/min
Attainable speed for oil-air lubrication	150000 r/min
Ball diameter D _w	3.969 mm
Number of balls z	10
Reference grease quantity G _{ref}	0.18 cm ³
Preload class A G _A	10 N
Static axial stiffness, preload class A	13 N/ μ m
Preload class B G _B	20 N
Static axial stiffness, preload class B	17 N/ μ m



Bearing Rolamentos do Brasil Ltda.

Preload class C G_C	40 N
Static axial stiffness, preload class C	23 N/ μ m
Preload class D G_D	80 N
Static axial stiffness, preload class D	32 N/ μ m
Calculation factor f	1.02
Calculation factor f_1	1
Calculation factor f_{2A}	1
Calculation factor f_{2B}	1.02
Calculation factor f_{2C}	1.05
Calculation factor f_{2D}	1.09
Calculation factor f_{HC}	1.02
Calculation factor f_0	8.8
Mass bearing	0.013 kg