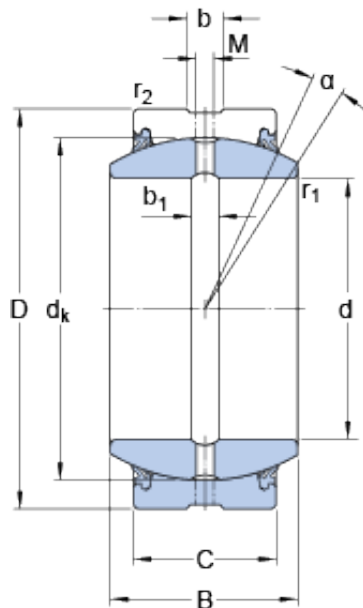




Bearing Rolamentos do Brasil Ltda.

120.65 mm x 187.325 mm x 105.562 mm SKF
GEZ 412 ES-2RS plain bearings

Bearing No. GEZ 412 ES-2RS



GEZ 412 ES-2RS Bearing 2D drawings and 3D CAD models

Size	187.325x120.65x105.562 mm
Bore Diameter	187,325 mm
Outer Diameter	120,65 mm
Width	105,562 mm
d	120.65 mm
D	187.325 mm
B	105.562 mm
C	90.475 mm
	6 °
d _k	173.355 mm
b	11 mm
b ₁	10 mm
M	8 mm
r ₁ - min.	1 mm
r ₂ - min.	1.1 mm
d _a - min.	129 mm
d _a - max.	137.5 mm
D _a - min.	166.5 mm
D _a - max.	179 mm
r _a - max.	1 mm
r _b - max.	1.1 mm
Basic dynamic load rating - C	1250 kN
Basic static load rating - C ₀	3750 kN
Specific factor dinamic load	100 N/mm ²



Bearing Rolamentos do Brasil Ltda.

- K	
Specific factor static load - K_0	300 N/mm ²
Constant - K_M	330
Lubricant	Regular relubrication – grease
Design (sliding contact surface combination)	Steel/steel
Sealing solution	Double-lip seals
	6 °
d_k	173.355 mm
b_1	10 mm
r_1 min.	1 mm
r_2 min.	1.1 mm
d_a min.	129 mm
d_a max.	137.5 mm
D_a min.	166.5 mm
D_a max.	179 mm
r_a max.	1 mm
r_b max.	1.1 mm
Basic dynamic load rating C	1250 kN
Basic static load rating C_0	3750 kN
Specific dynamic load factor K	100 N/mm ²
Specific static load factor K_0	300 N/mm ²
Material constant K_M	330
Mass plain bearing	11.5 kg