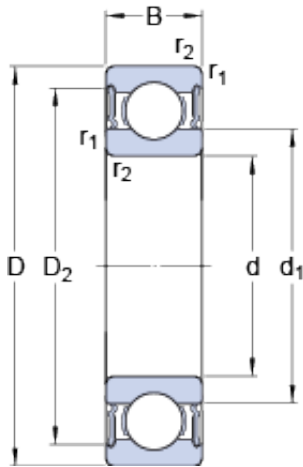




Bearing Rolamentos do Brasil Ltda.



25 mm x 47 mm x 12 mm SKF W
6005-2RS1/VP311 deep groove ball bearings

Bearing No. W 6005-2RS1/VP311

W 6005-2RS1/VP311 Bearing 2D drawings and 3D CAD models

Size	47x25x12 mm
Bore Diameter	47 mm
Outer Diameter	25 mm
Width	12 mm
d	25 mm
D	47 mm
B	12 mm
d ₁	31.7 mm
D ₂	42.7 mm
r _{1,2} - min.	0.6 mm
d _a - min.	29 mm
d _a - max.	31.5 mm
D _a - max.	44.5 mm
r _a - max.	0.6 mm
Basic dynamic load rating - C	8.7 kN
Basic static load rating - C ₀	5.8 kN
Fatigue load limit - P _u	0.25 kN
Limiting speed	9500 r/min
Calculation factor - k _r	0.03
Calculation factor - f ₀	14.5
d ₁	31.7 mm
D ₂	42.73 mm
r _{1,2} min.	0.6 mm
d _a min.	29 mm



Bearing Rolamentos do Brasil Ltda.

d_a max.	31.5 mm
D_a max.	44.5 mm
r_a max.	0.6 mm
Basic dynamic load rating C	8.71 kN
Basic static load rating C_0	5.85 kN
Fatigue load limit P_u	0.25 kN
Calculation factor k_r	0.03
Calculation factor f_0	14.5
Mass bearing	0.077 kg