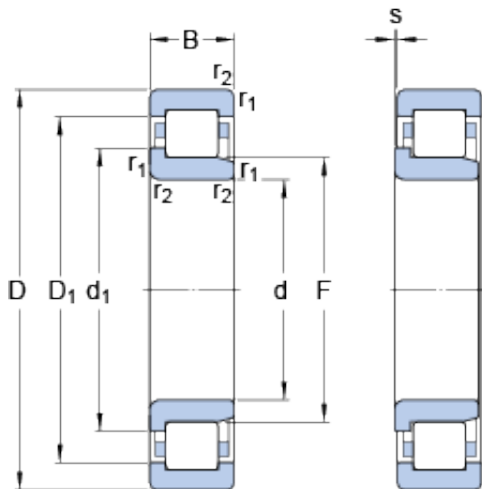




## Bearing Rolamentos do Brasil Ltda.



630 mm x 780 mm x 69 mm SKF NJ 18/630  
ECMA/HB1 thrust ball bearings

Bearing No. NJ 18/630 ECMA/HB1

NJ 18/630 ECMA/HB1 Bearing 2D drawings and 3D  
CAD models

Size	780x630x69 mm
Bore Diameter	780 mm
Outer Diameter	630 mm
Width	69 mm
d	630 mm
D	780 mm
B	69 mm
d <sub>1</sub>	682 mm
D <sub>1</sub>	724 mm
F	667 mm
r <sub>1,2</sub> - min.	4 mm
s	1.5 mm
d <sub>a</sub> - min.	645 mm
d <sub>a</sub> - max.	662 mm
d <sub>b</sub> - min.	685 mm
D <sub>a</sub> - max.	765 mm
r <sub>a</sub> - max.	3 mm
Basic dynamic load rating - C	1100 kN
Basic static load rating - C <sub>0</sub>	2500 kN
Fatigue load limit - P <sub>u</sub>	183 kN
Reference speed	800 r/min
Limiting speed	1000 r/min
Calculation factor - k <sub>r</sub>	0.05
d <sub>1</sub>	682 mm



## Bearing Rolamentos do Brasil Ltda.

$D_1$	724 mm
$r_{1,2}$ min.	4 mm
s max.	1.5 mm
$d_a$ min.	645 mm
$d_a$ max.	662 mm
$d_b$ min.	685 mm
$D_a$ max.	765 mm
$r_a$ max.	3 mm
Basic dynamic load rating C	1100 kN
Basic static load rating $C_0$	2500 kN
Fatigue load limit $P_u$	183 kN
Calculation factor $k_r$	0.1
Limiting value e	0.2
Axial load factor Y	0.6
Mass bearing	75 kg