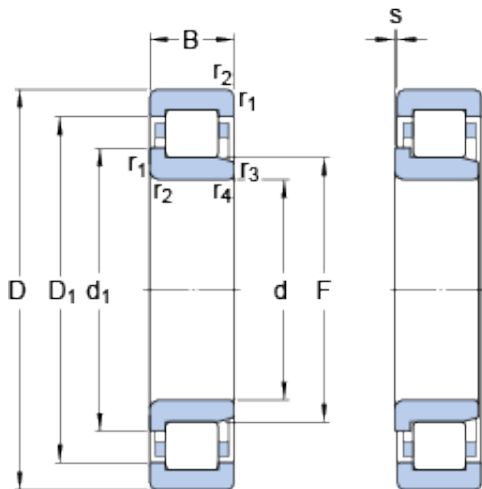




## Bearing Rolamentos do Brasil Ltda.



130 mm x 280 mm x 58 mm SKF NJ 326 ECJ  
thrust ball bearings

Bearing No. NJ 326 ECJ

NJ 326 ECJ Bearing 2D drawings and 3D CAD models

Size	280x130x58 mm
Bore Diameter	280 mm
Outer Diameter	130 mm
Width	58 mm
d	130 mm
D	280 mm
B	58 mm
d <sub>1</sub>	181 mm
D <sub>1</sub>	234.2 mm
F	167 mm
r <sub>1,2</sub> - min.	4 mm
r <sub>3,4</sub> - min.	4 mm
s	3.7 mm
d <sub>a</sub> - min.	147 mm
d <sub>a</sub> - max.	163 mm
d <sub>b</sub> - min.	184 mm
D <sub>a</sub> - max.	261.4 mm
r <sub>a</sub> - max.	3 mm
Basic dynamic load rating - C	720 kN
Basic static load rating - C <sub>0</sub>	750 kN
Fatigue load limit - P <sub>u</sub>	81.5 kN
Reference speed	2400 r/min
Limiting speed	3000 r/min
Calculation factor - k <sub>r</sub>	0.15



## Bearing Rolamentos do Brasil Ltda.

Category	Cylindrical Roller Bearings
Inventory	0.0
Manufacturer Name	SKF
Minimum Buy Quantity	N/A
Weight / Kilogram	16.695
Product Group	B04144
Bore Profile	Straight
Cage Material	Steel
Precision Class	RBEC 1   ISO P0
Number of Rows of Rollers	Single Row
Separable	Inner Ring - One Side
Rolling Element	Cylindrical Roller Bearing
Profile	Complete with Outer and Inner Ring
Snap Ring	No
Internal Clearance	C0-Medium
Retainer	Yes
Relubricatable	Yes
Inch - Metric	Metric
Other Features	High Capacity   1 Rib Inner Ring   2 Rib Outer Ring   Cage on Outer Ring ID
Long Description	130MM Bore; Straight Bore Profile; 280MM Outside Diameter; 58MM Width; Steel Cage Material; RBEC 1   ISO P0; Single Row; Inner Ring - One Side Separable; No Snap Ring; Relubricatable; C0-Medium Inter
Category	Cylindrical Roller Bearing
UNSPSC	31171547
Harmonized Tariff Code	8482.50.00.00
Noun	Bearing
Manufacturer URL	<a href="http://www.skf.com">http://www.skf.com</a>



## Bearing Rolamentos do Brasil Ltda.

Manufacturer Item Number	NJ 326 ECJ
Weight / LBS	36.773
Width	2.283 Inch   58 Millimeter
Outside Diameter	11.024 Inch   280 Millimeter
Bore	5.118 Inch   130 Millimeter
$d_1$	181 mm
$D_1$	234.2 mm
$r_{1,2}$ min.	4 mm
$r_{3,4}$ min.	4 mm
s max.	3.7 mm
$d_a$ min.	147 mm
$d_a$ max.	163 mm
$d_b$ min.	184 mm
$D_a$ max.	261.4 mm
$r_a$ max.	3 mm
Basic dynamic load rating C	720 kN
Basic static load rating $C_0$	750 kN
Fatigue load limit $P_u$	81.5 kN
Calculation factor $k_r$	0.15
Limiting value e	0.2
Axial load factor Y	0.6
Mass bearing	16.4 kg